

Loft Parts List

- 4 Loft Beams, Pre-assembled halves 3x5-1/2" Beam Half
- 2 Short Rear Loft Supports 2x4x25"
- 1 Long Rear Loft Support 2x4x90"
- 25 Loft Boards 1x6x90"
- 1 Loft Trim Angled 1x3x50"
- 1 Loft Trim Angled 1x3x90"
- 4 Metal Angle Brackets
- 8 3/8" x 2" Lag Bolts with Nuts and Washers
- 8 1/4" x 2" Lag Screws
- 3" Screws, 2" Screws

Tools Required

- 1/8" Drill Bit, 3/8" Drill Bit, Phillips #2 Bit
- Drill
- Adjustable or 7/16" and 9/16" Wrench

The loft is supported by a 2x4 attached to the rear wall and (2) 3x5-1/2x140" beams in the middle and front of the loft.

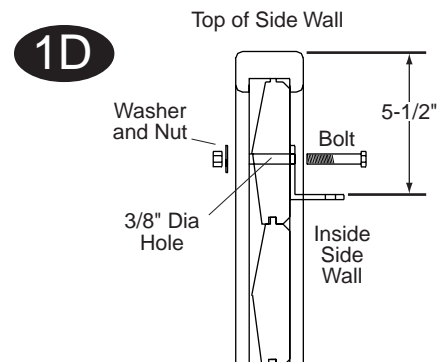
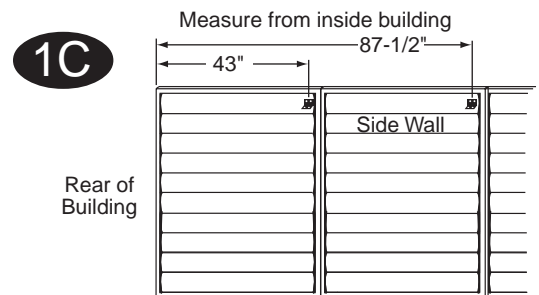
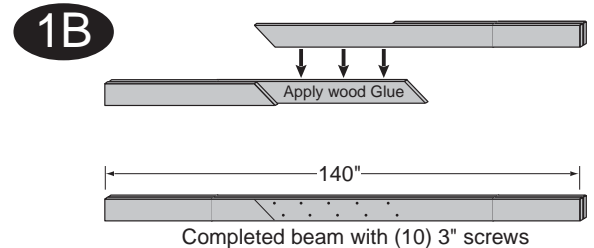
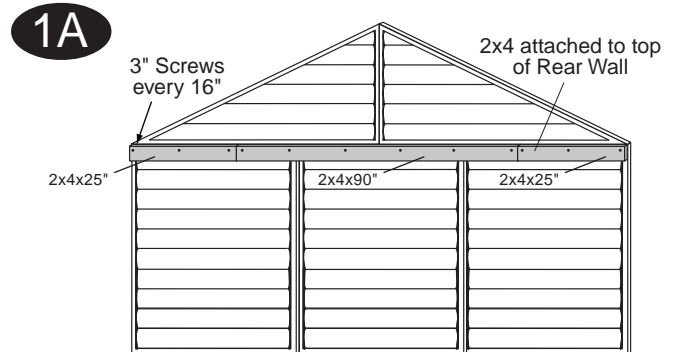
1-A: Position short 2x4x25" flush to edge of side wall and flush to the top of the rear wall, attach with 3" screws every 16" and continue across the back wall with 2x4x90" flush to top and last 2x4x25" in other corner.

Note: If Optional Wall Partition is used, only (1) 3" x 5-1/2" beam is required in the middle of the loft at the 93" dimension. See partition instructions for details.

1-B: Assemble the 3 x 5-1/2" loft half beams as shown using wood glue [not supplied] and (10) 3" screws at slight angle for middle Loft Support and repeat step for another Beam support for front of Loft. Total assembled length will be 140"

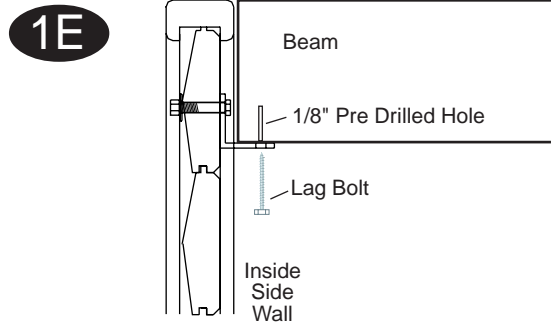
1-C: Position metal angle brackets on the side wall centered at 43" and 87-1/2" from the back wall on both sides of building. Measurements are from the inside of building and centered on the bracket.

1-D: Attach metal angle bracket 5-1/2" down from the top of the side wall, mark holes and drill 3/8" diameter hole through side wall panel. Fasten bracket to wall with (2) 3/8 x 2" bolts with (2) washers and lock nuts to the outside of building as shown.

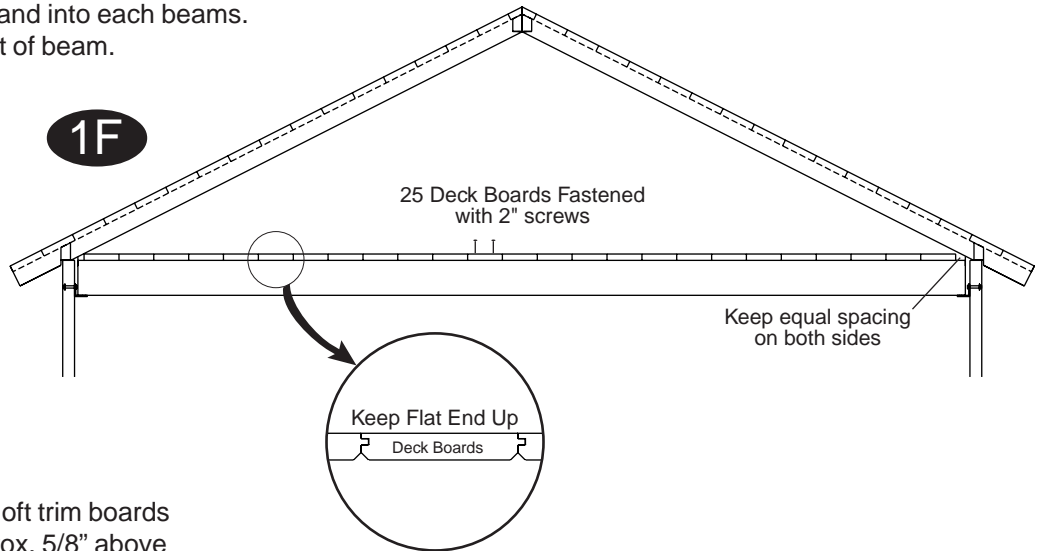


1-E: Lay both beams centered on top of brackets and fasten through bottom of angle brackets into beam with (2) 2" lag screws. Drill 1/8" pilot hole to prevent splitting.

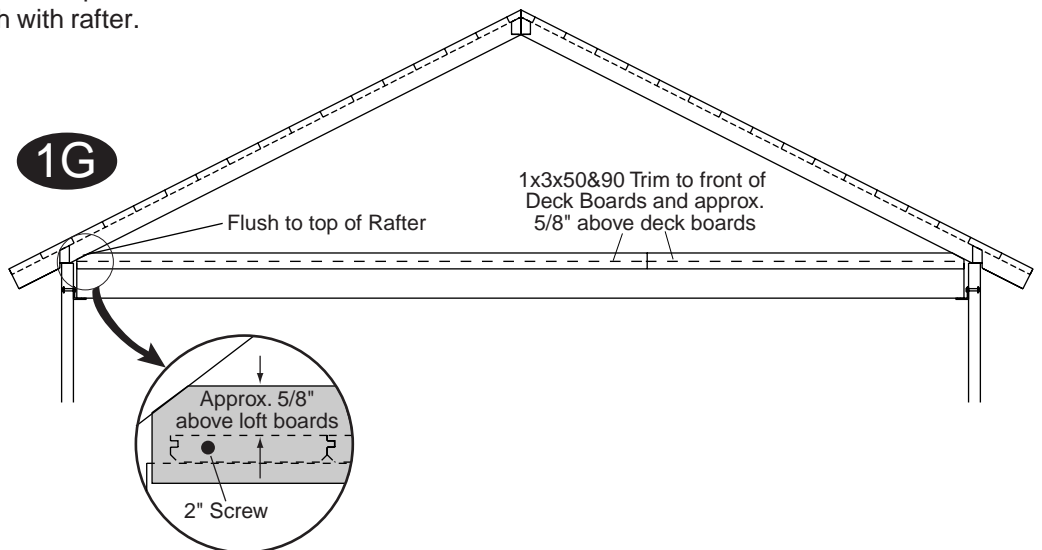
Top of Side Wall



1-F: Starting from the middle, position loft deck boards flush to rear and on top of rear 2x4, middle and front beams keeping flat end up (see detail). Position all deck boards in place. There will be approx. 1" overhang of the deck boards in front of the beam. Keep equal spacing on either ends. Fasten with 2" screws through deck into rear 2x4 and into each beams. Maintain 1" overhang all along front of beam.



1-G: Position 1x3x50&90" angled loft trim boards on the end of the deck boards approx. 5/8" above deck boards and fasten in place with 2" screws every 18" (see detail). Drill with 1/8" bit to prevent from splitting. Keep angle end flush with rafter.



Load Capacity 750 lbs.

CAUTION

If using as a sleeping area, you must install a barrier to prevent children or adults from falling off.