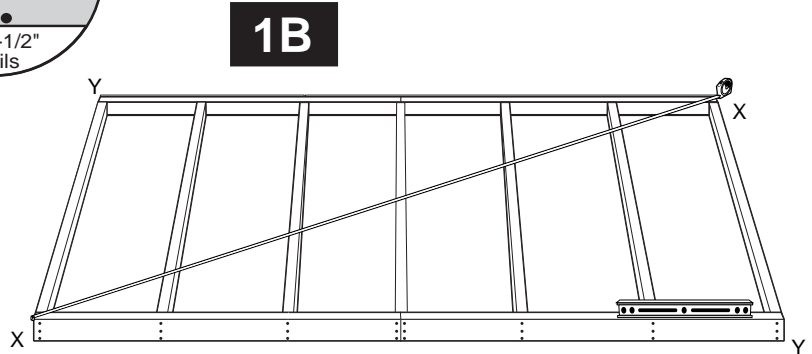


**1A** - For Floor Unit, arrange 4-72" Floor Bond Boards part (A) and 7-93" Floor Joists part (B) as shown.

Use 3-1/2" nails nailing three times through Bond Boards into each end of each Joist. Use (6) 3-1/2" nails where Floor Bond Boards butt together.

**1-B:** Completed Floor Frame should be positioned at building site and leveled, using shims between floor and ground, before proceeding to Floor Panel Attachment.

Square frame by making corner-to-corner measurements (X to X and Y to Y) the same.

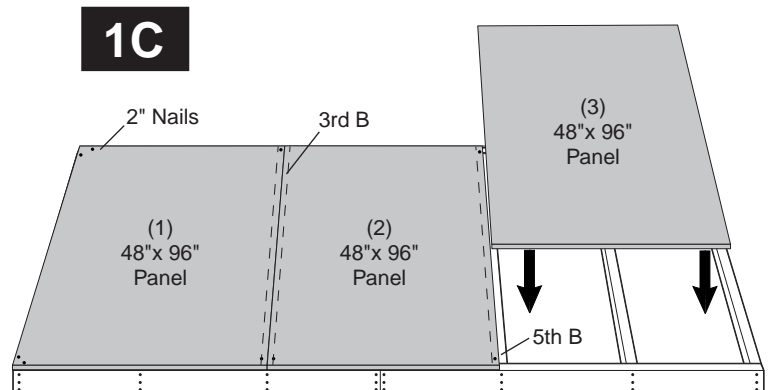


**1C** - Position a 48"x96" Floor Panel (1) flush to front and left side of Floor Frame. Panel should be centered on third Floor Joist part (B). Secure Panel with 2-2" nails at outside front and back corner and 1-2" nail at other two inside corners.

Position a 48"x96" Floor Panel (2) flush against Floor Panel (1). Panel should be centered on fifth Floor Joist part (B). Secure Panel with 1-2" nail at each corner.

Position 48"x96" Floor Panel (3) tight against Floor Panel (2) and flush to front and side of Floor Frame. Nail same as Panel (1).

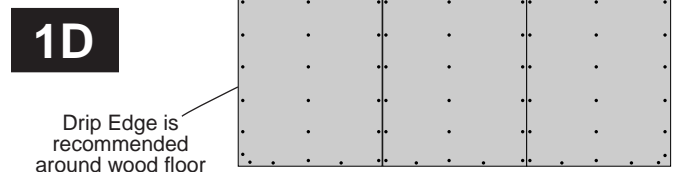
**1D** - With all Floor Panels flush to outside edges of Frame and properly centered on Joists, nail with 2" nails every 12" through Floor Panels into all Floor Bond Boards and all Floor Joists as shown.



Your Floor is now complete. Be sure it is properly positioned and leveled to ground before beginning assembly of Handy Hut Timber Building.

**Recommended (Not Supplied with Kit)**

Position 1 x 2 Drip Edge around entire edge of floor; fasten with 1" Roof nails (Not supplied with kit.) Caulk on top of this when assembling walls.



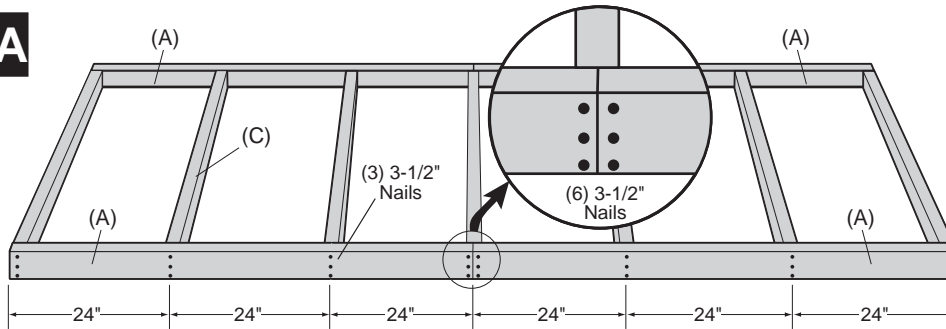
# MACKINAW 12' x 4' EXTENDED FLOOR

- 12' x 4' Wooden Floor Kit Parts List
- 4 - Floor Bond Boards 2x6x72" (A)
  - 7 - Floor Joist 2x6x45" (C)
  - 1 - Floor Panels 48"x24"x3/4"
  - 1 - Floor Panels 48"x48"x3/4"

- 1 - Floor Panels 48"x72"x3/4"
- 4 - Packing material 2x3x15-3/4"
- 1 - Package of Nails - 16d Nails, 6d Nails

#16637

## 1-XA

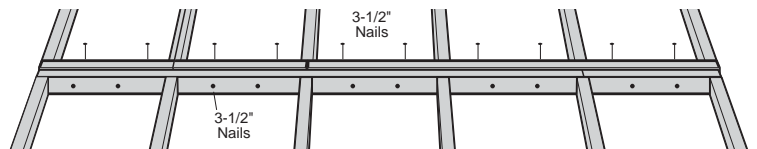


**1X-A:** For Floor Unit, arrange 4-72' Floor Bond Boards part (A) and 7-45" Floor Joists part (C) as shown.

Use 3-1/2" nails nailing three times through Bond Boards into each end of each Joist. Use (6) 3-1/2" nails where Floor Bond Boards butt together.

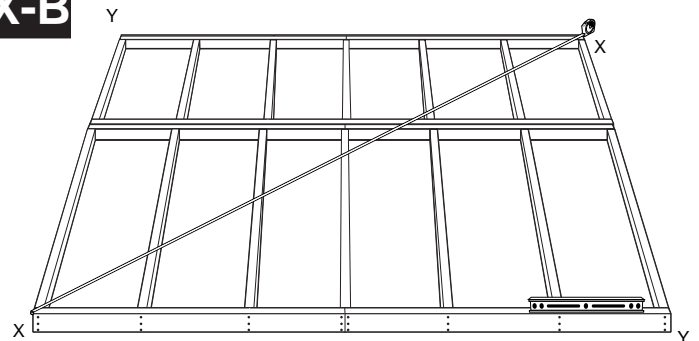
**1X-B:** Place 4' extender floor frame to 12x8 floor frame with (2) 3-1/2" nails between joists. Completed Floor Frame should be positioned at building site and leveled, using shims between floor and ground, before proceeding to Floor Panel Attachment.

Attach floors together with 3-1/2" nails.



Square frame by making corner-to-corner measurements (X to X and Y to Y) the same.

## 1X-B

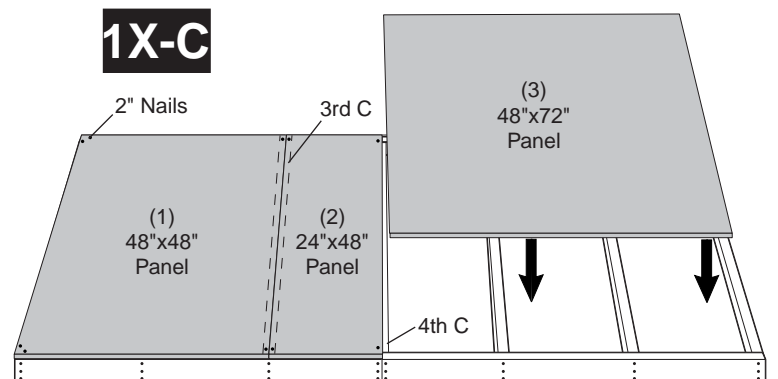


**1X-C:** Position a 48"x48" Floor Panel (1) flush to front and left side of Floor Frame. Panel should be centered on third Floor Joist part (C). Secure Panel with 2-2" nails at outside front corner and 1-2" nail at other two corners.

Position a 24"x48" Floor Panel (2) flush against Floor Panel (1). Panel should be centered on fourth Floor Joist part (C). Secure Panel with 1-2" nail at each corner.

Position 48"x72" Floor Panel (3) tight against Floor Panel (2) and flush to front and side of Floor Frame. Nail same as Panel (1).

## 1X-C



Extended Floor Panels

**1X-D:** With all Floor Panels flush to outside edges of Frame and properly centered on Joists, nail with 2" nails every 12" through Floor Panels into all Floor Bond Boards and all Floor Joists as shown.

Your Floor is now complete. Be sure it is properly positioned and leveled to ground before beginning assembly of Handy Hut Timber Building.

### Recommended (Not Supplied with Kit)

Position 1 x 2 Drip Edge around entire edge of floor; fasten with 1" Roof nails (Not supplied with kit.) Caulk on top of this when assembling walls.

## 1X-D

